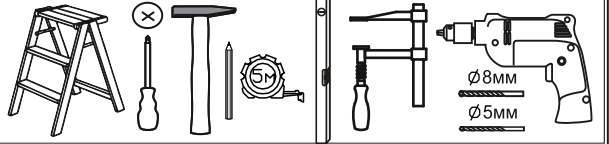


Nº	O/A 600	O/A 800	O/A 1000	Qty	Pkg
1	2200*507*16	2200*507*16	2200*507*16	1	1/5
2	2200*507*16	2200*507*16	2200*507*16	1	1/5
3	576*507*16	776*507*16	976*507*16	1	2/5
4	576*507*16	776*507*16	976*507*16	1	2/5
5	576*503*16	776*503*16	976*503*16	2	2/5
6	576*70*16	776*70*16	976*70*16	2	2/5
7	2123*301*3	2123*401*3	2123*501*3	2	3/5
8	2145*302*16	2145*402*16	2145*502*16	2	3/5
NV05	L-574	L-774	L-974	1	4/5
NN05	L-574	L-774	L-974	1	4/5
SP01	L-2091	L-2091	L-2091	1	3/5
SH01	L-573	L-773	L-973	1	2/5
RP04	L-1100	L-1100	L-1100	1	5/5



<p>6x34 16x <b>T01</b></p>	<p>Ø15 16x <b>D15</b></p>	<p>3,5x16 16x <b>S01</b></p>	<p>7x50 6x <b>E01</b></p>	<p>4MM 1x <b>K4</b></p>	<p>8x30 16x <b>W-30</b></p>	<p>1,6x25 54x <b>G01</b></p>	<p>2x <b>ST01</b></p>
<p>76x32 2x <b>O01</b></p>	<p>2x <b>B01</b></p>	<p>4x <b>P01</b></p>	<p>100x20 2x <b>P03</b></p>	<p>Ø15 20x <b>Z06</b></p>	<p>Ø18 16x <b>Z07</b></p>	<p>Ø40 3x <b>Z08</b></p>	



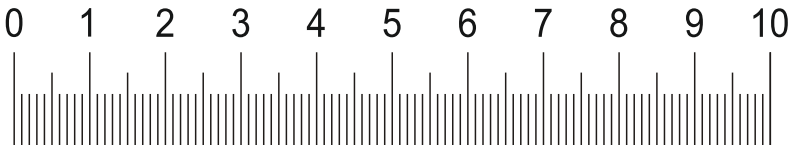
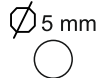
<p>3,5x16 16x <b>S01</b></p>	<p>1x <b>WL01</b></p>	<p>1x <b>WL02</b></p>	<p>4x <b>WL03</b></p>	<p>4x16 10x <b>S03</b></p>
<p>4x <b>PN01</b></p>	<p>6,3*12,5 26x <b>WL05</b></p>	<p>1x <b>WL06</b></p>	<p>4x <b>WL04</b></p>	<p>2x <b>WL07</b></p>



<p>3,5x16 32x <b>S01</b></p>	<p>8x <b>PN01</b></p>
----------------------------------	-----------------------

<p>L=1100 1x <b>RP04</b></p>	<p>3,5x16 6x <b>S01</b></p>
----------------------------------	---------------------------------

<p>L=573 L=773 L=973 1x <b>SH01</b></p>	<p>L=2091 1x <b>SP01</b></p>	<p>L=574 L=774 L=974 1x <b>NV05</b></p>	<p>L=574 L=774 L=974 1x <b>NN05</b></p>
---	----------------------------------	---	---



1

6x34



16x

T01

3,5x16



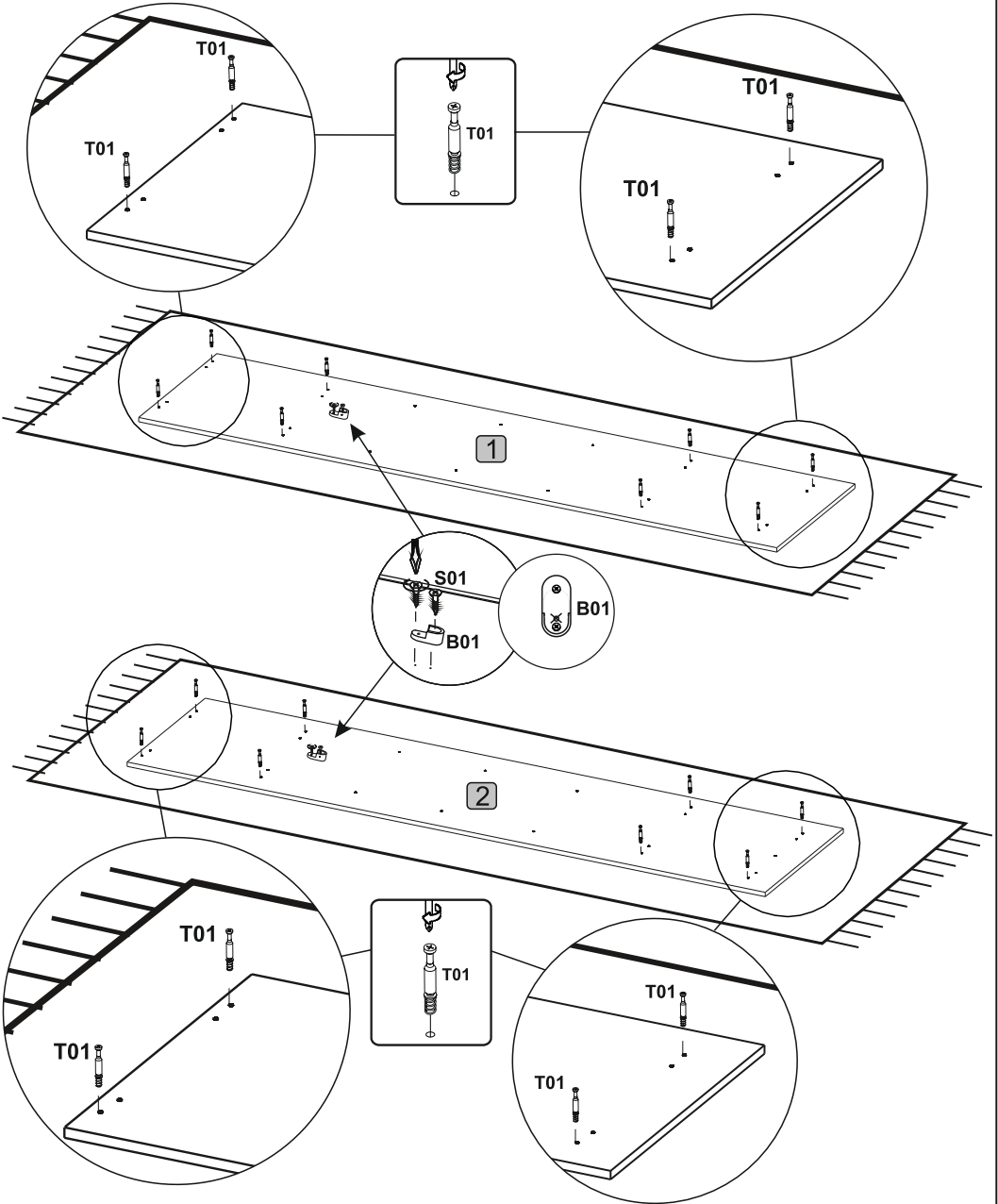
4x

S01

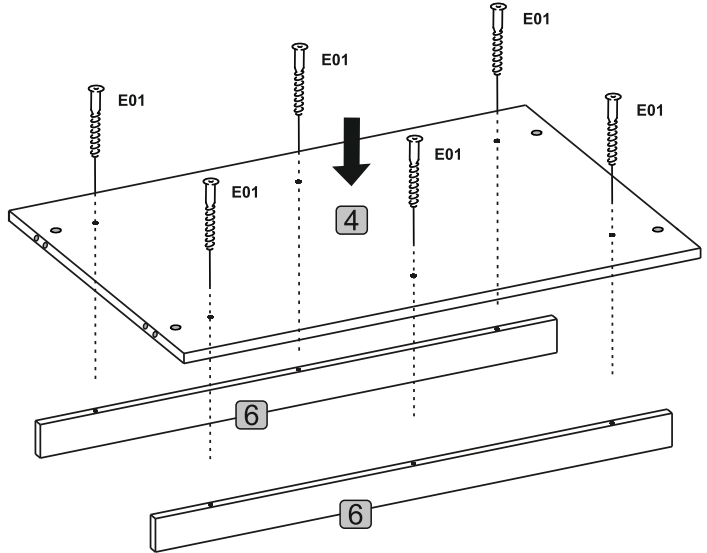
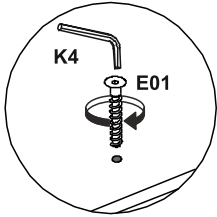
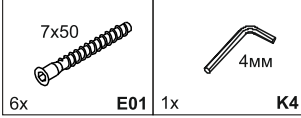
2x



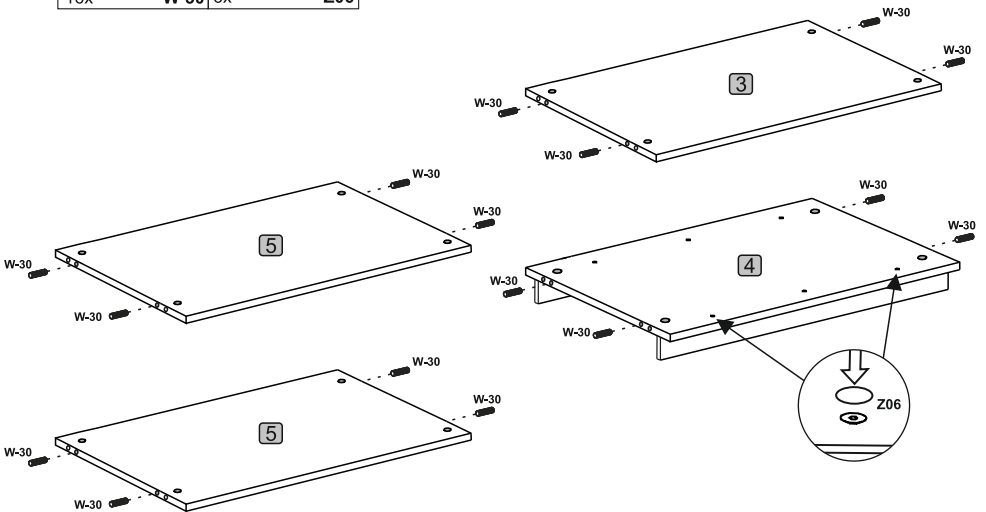
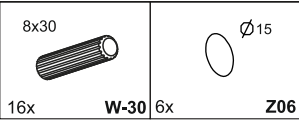
B01



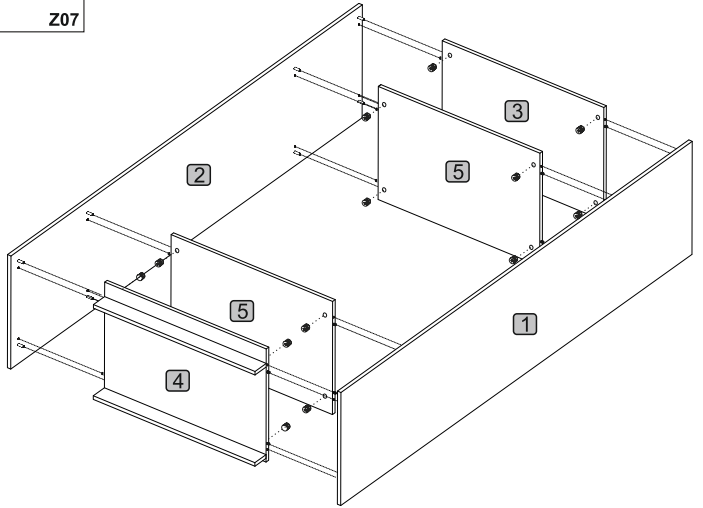
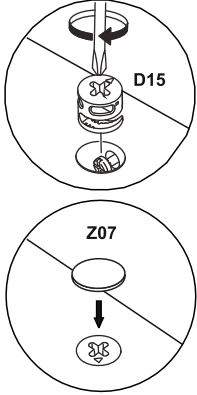
2



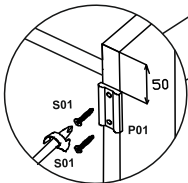
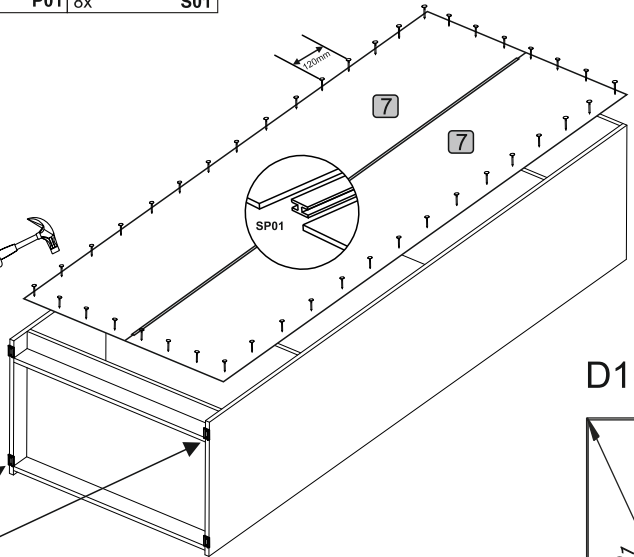
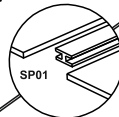
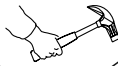
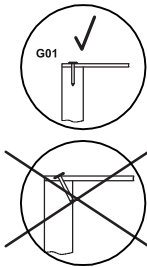
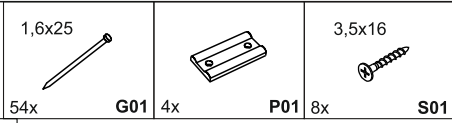
3



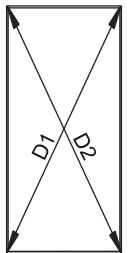
4



5



$D1=D2$



6



2x

O01



4x

S01

100x20



2x

P03



12x

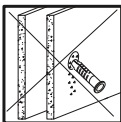
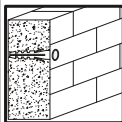
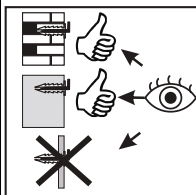
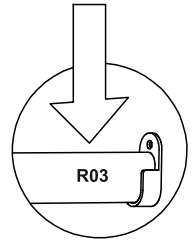
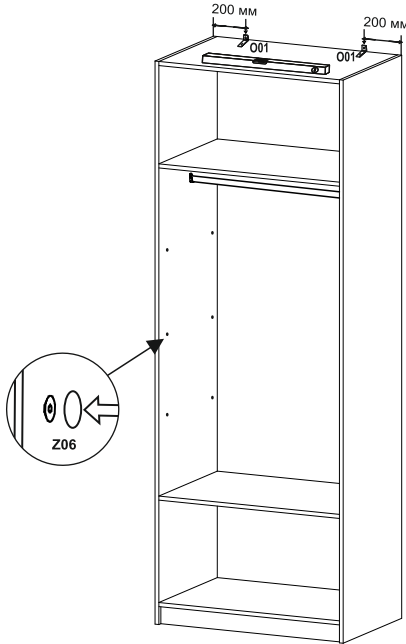
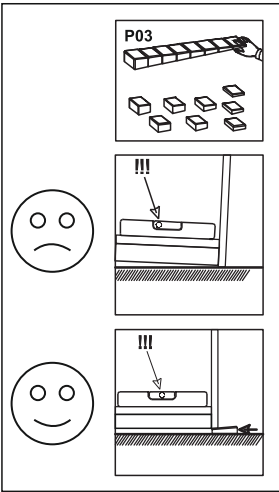
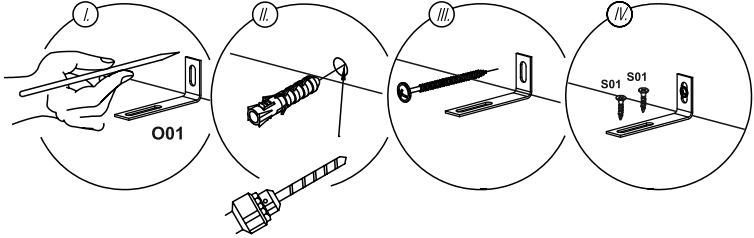
Z06

L=573  
L=773  
L=973

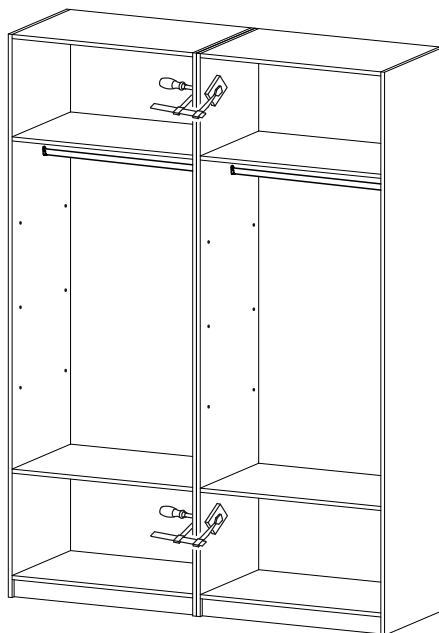
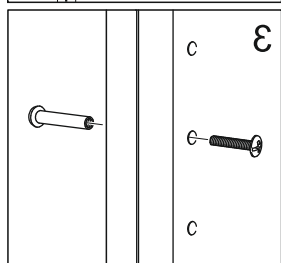
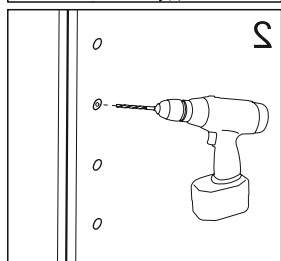
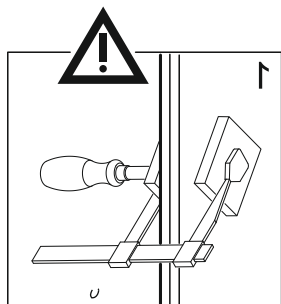
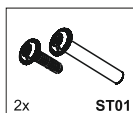


1x

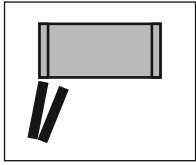
R03



7

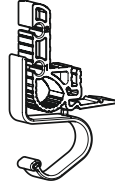






WL07

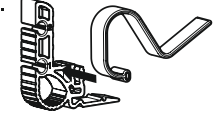
1.



2.



3.



8

4x16



5x

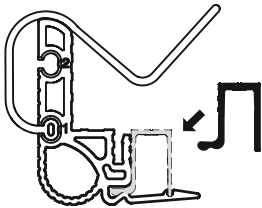
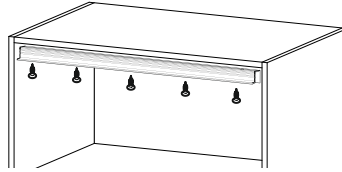
S03

L=574  
L=774  
L=974



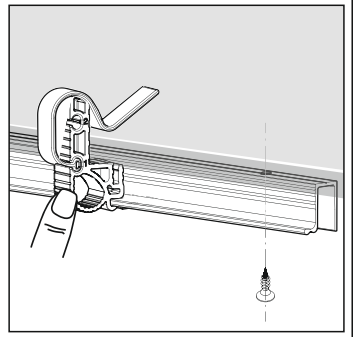
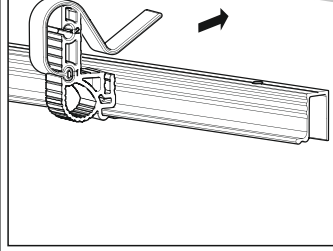
1x

NV05



WL07

2 x



9

4x16



5x

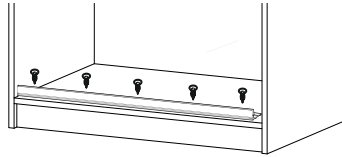
S03

L=574  
L=774  
L=974

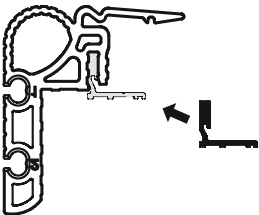


1x

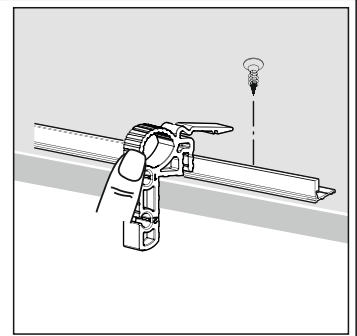
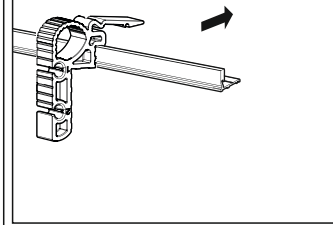
NN05




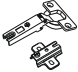
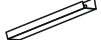


WL07

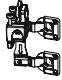







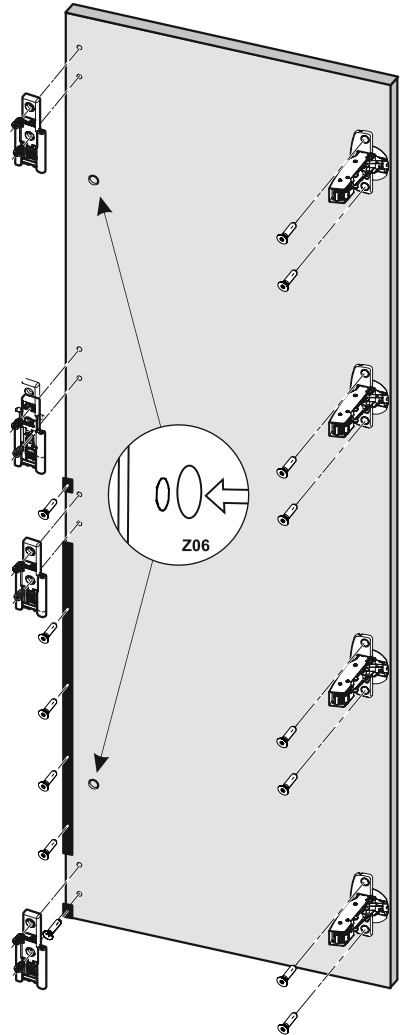
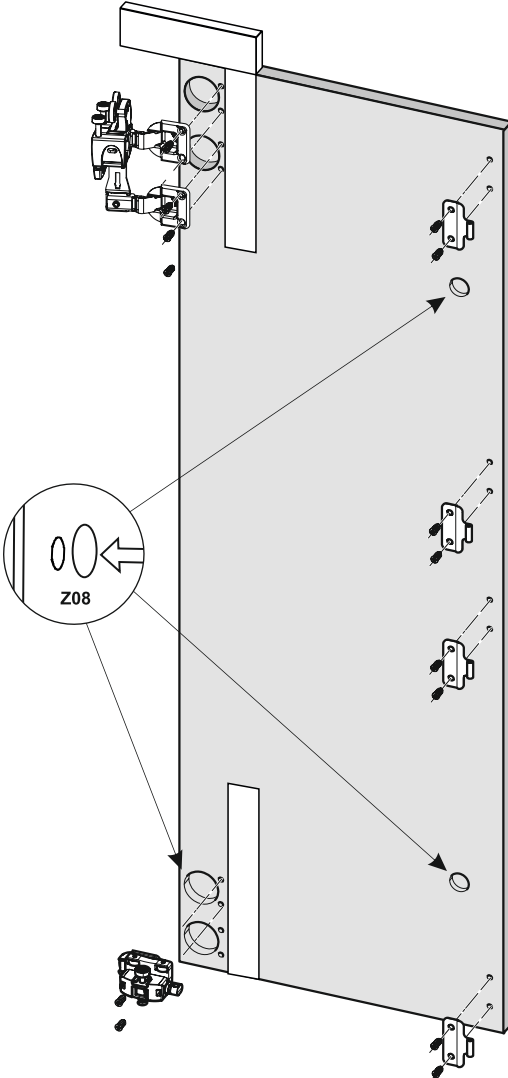
2 x



10

<p>3,5x16</p>  <p>14x S01</p>	 <p>4x PN01</p>	<p>L=1100</p>  <p>1x RP04</p>
	 <p>2x Z06</p> <p>Ø15</p>	 <p>3x Z08</p> <p>Ø40</p>

 <p>1x WL01</p>	 <p>1x WL02</p>	 <p>4x WL03</p>
<p>6,3*12,5</p>  <p>26x WL05</p>	 <p>1x WL06</p>	 <p>4x WL04</p>



**11**

3,5x16

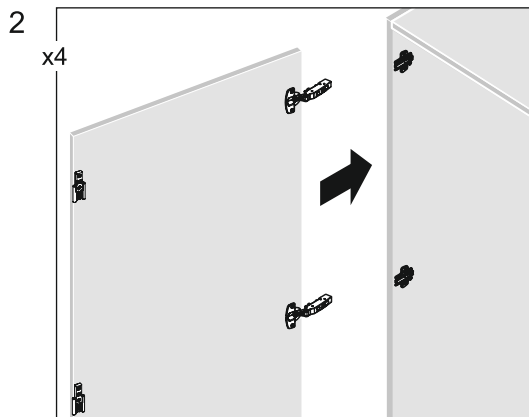
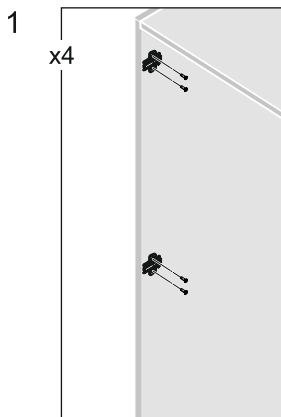


8x

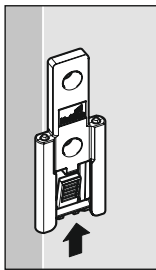
S01

4x

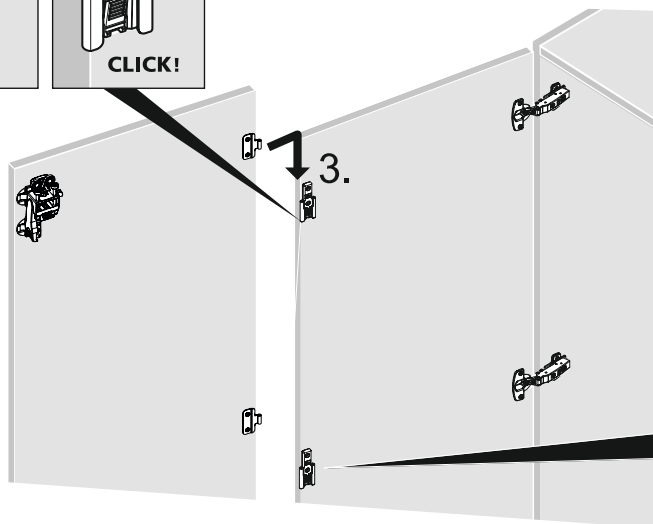
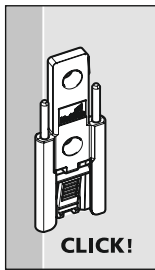
PN01

**12**

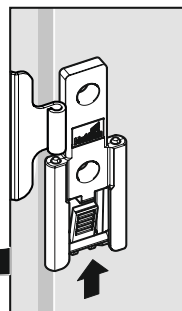
1.



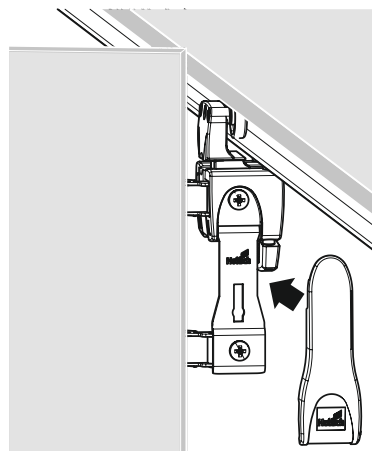
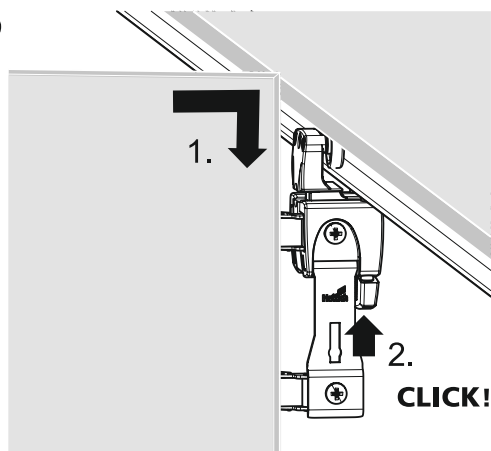
2.



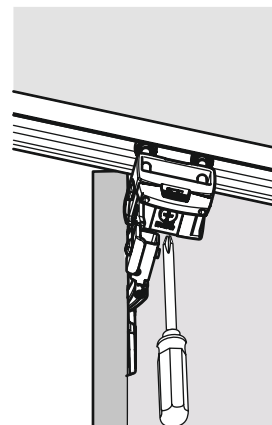
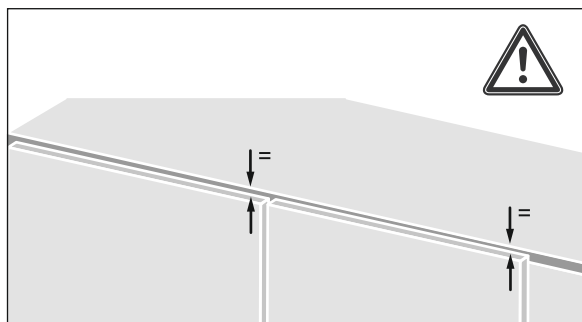
4.



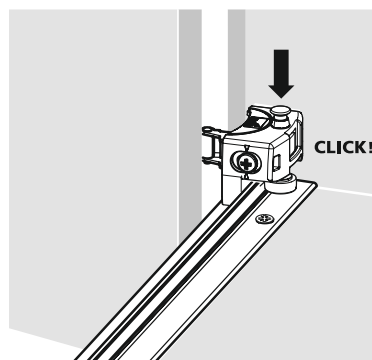
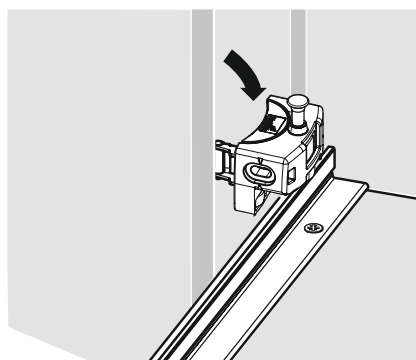
13





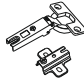
14

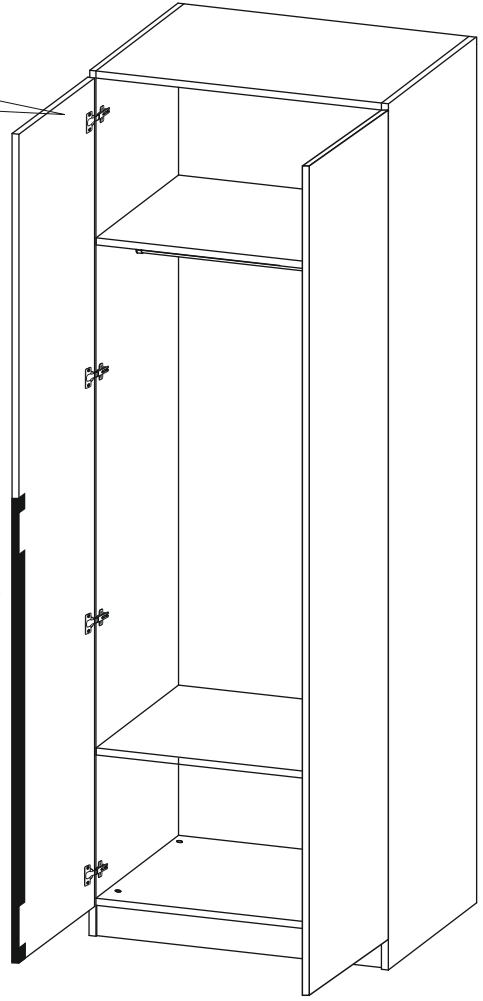
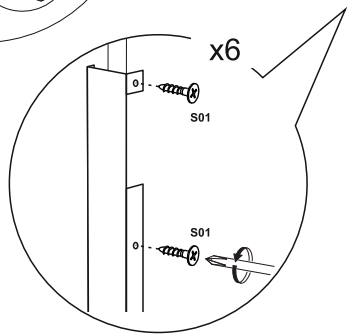
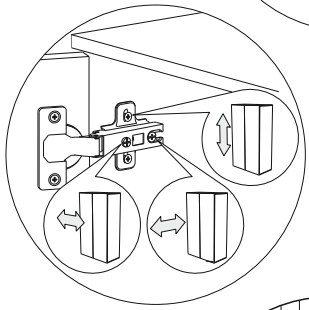
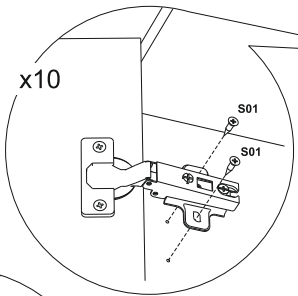
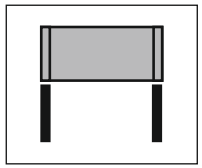


15

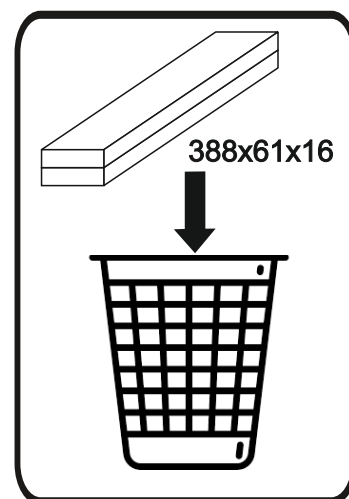
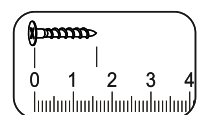
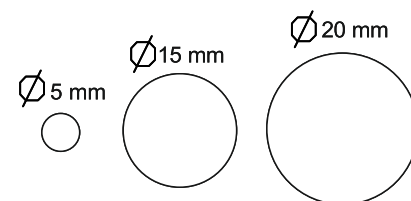
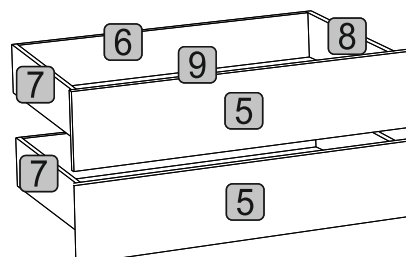
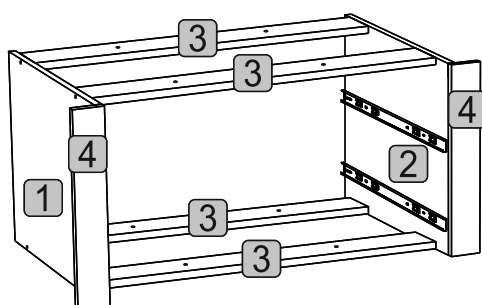
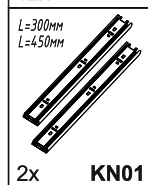
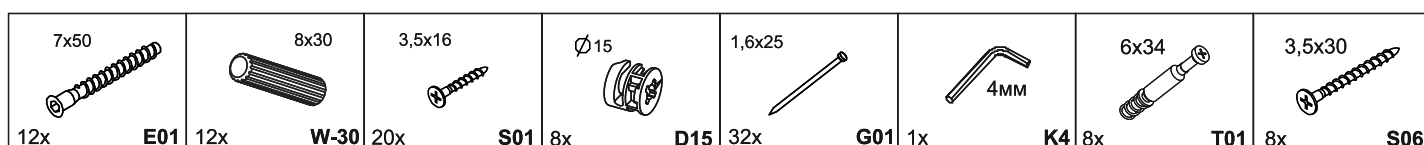


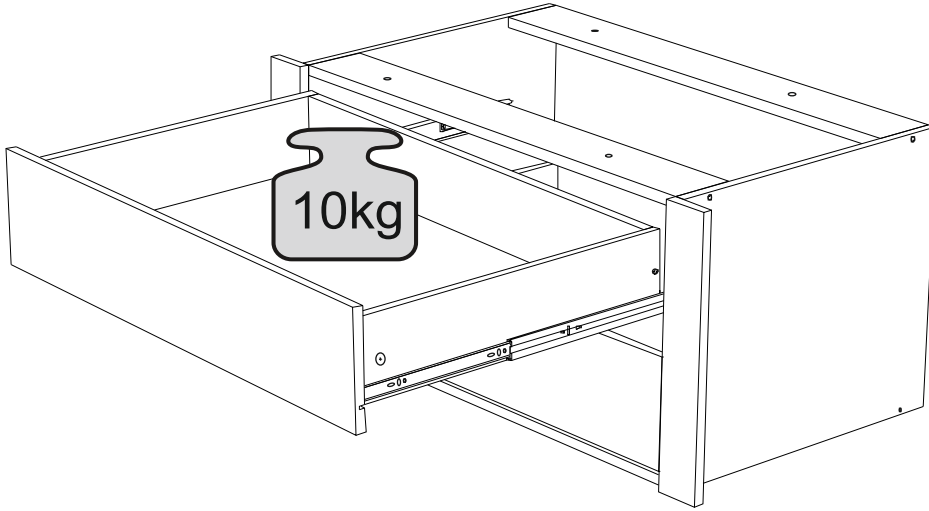
# 16

3,5x16  38x	S01 1x	L=1100  RP04	8x PN01 
--	-----------	---	---

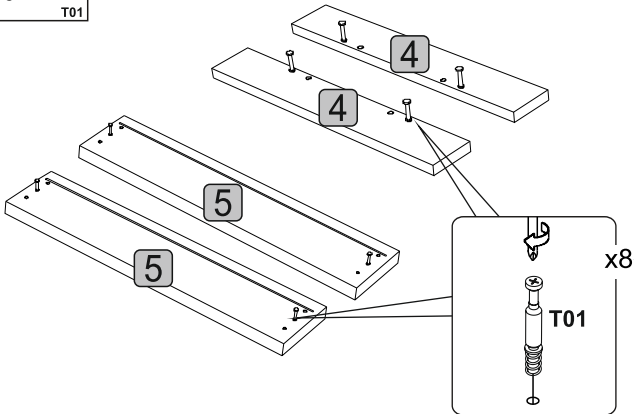
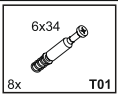


№	↙ 576	↙ 776	↙ 976	↙ 600	Pkg
1	388x455x16	388x455x16	388x455x16	1	6/6
2	388x455x16	388x455x16	388x455x16	1	6/6
3	454x80x16	654x80x16	854x80x16	4	6/6
4	388x41x16	388x41x16	388x41x16	2	2/5
5	446x158x16	646x158x16	846x158x16	2	6/6
6	396x100x16	596x100x16	796x100x16	2	6/6
7	450x100x16	450x100x16	450x100x16	2	6/6
8	450x100x16	450x100x16	450x100x16	2	6/6
9	455x428x3	455x628x3	455x828x3	2	6/6
<b>KN01</b>	<b>L-450</b>	<b>L-450</b>	<b>L-450</b>	<b>2</b>	<b>6/6</b>

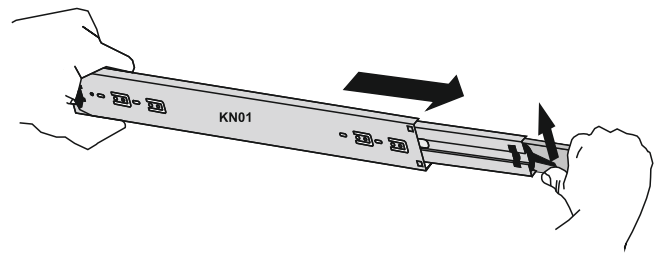
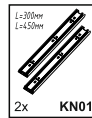




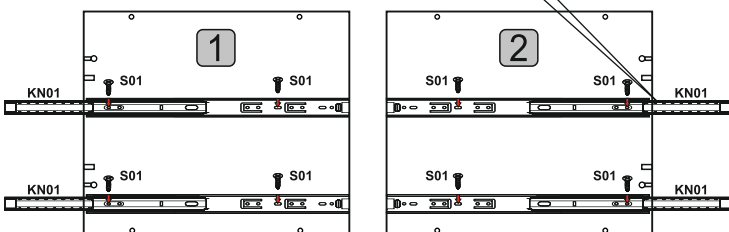
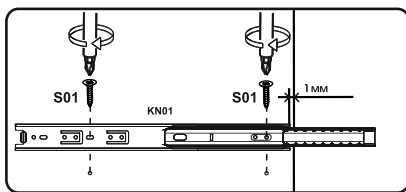
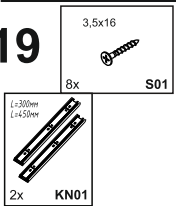
17



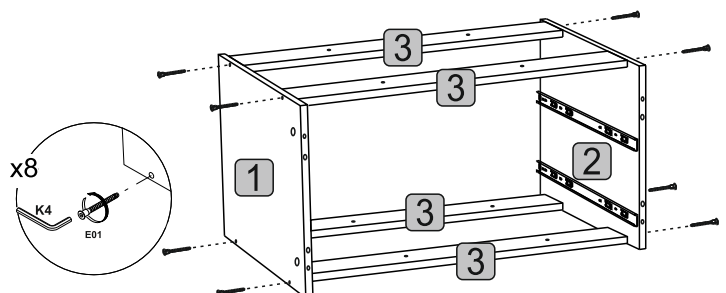
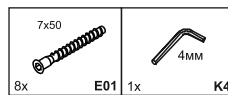
18



19



20



**21**

$\varnothing 15$   
 4x D15  
 8x30  
 4x W-30

**22**

7x50  
 2x E01  
 4MM  
 1x K4  
 8x30  
 4x W-30

x2

**23**

$\varnothing 15$   
 2x D15

x2

**24**

1,6x25  
 16x G01

x2

**25**

3,5x16  
 4x S01  
 2x KN01

x2

**26**

**27**

3,5x30  
 8x S06

x8

**28**

x2